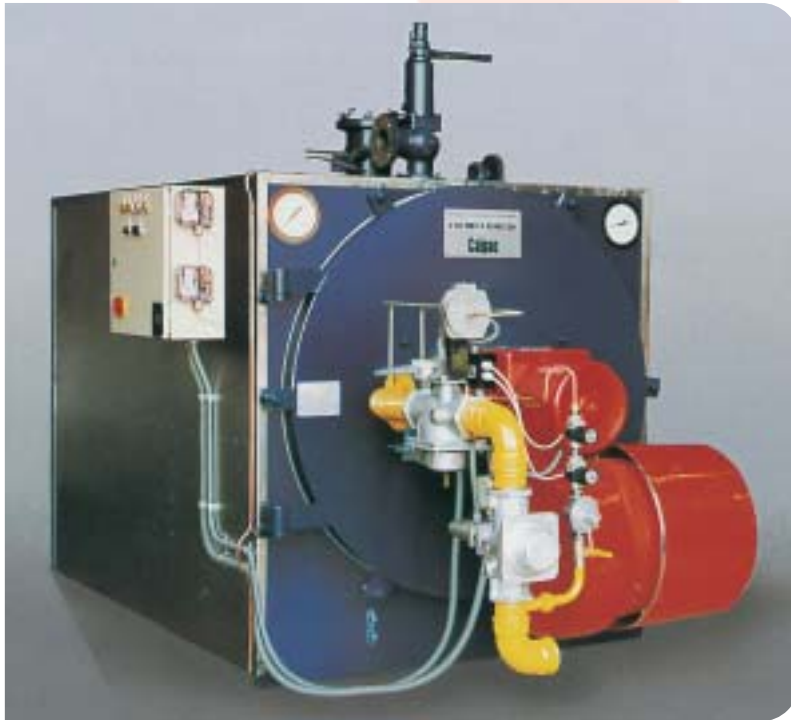


Calpac Package Hot-Water Boiler



ENERGY SOLUTIONS WORLDWIDE

The Cochran Calpac hot water boiler range shares many of the features of the Wee Chieftain Steam Range. With a reputation for robust design and reliability, Calpacs are in service world-wide. The design is 3 pass wet back with additional flexibility provided by the Calpacs tolerance to high differentials in the feed and return temperatures of the hot water system. Typical applications include schools, hospitals, process heat and district heating schemes. The Calpac range features low NO_x, low noise Cochran burners as standard with a wide range of control options available.

Ratings:

From 879 kW/hr to 3515 kW/hr
(3x10⁶ BTU/hr to 12x10⁶ BTU/hr)

Standard Working Pressures:

9.3 BAR
(DESIGNS AVAILABLE UP TO 27 BAR)

Design concept:

- 3-pass conventional wetback
- Manufactured to B.S. 2790 (or equivalent international standards i.e. EN 12953, PD 2790). Products are normally CE marked
- Robust design and construction for long life
- Total package incorporates combustion equipment, feed water pump and controls, control panel, all necessary valves and fittings

Quality:

- Procedures are third party audited to ISO 9001; boilers are third party insurance authority inspected before dispatch

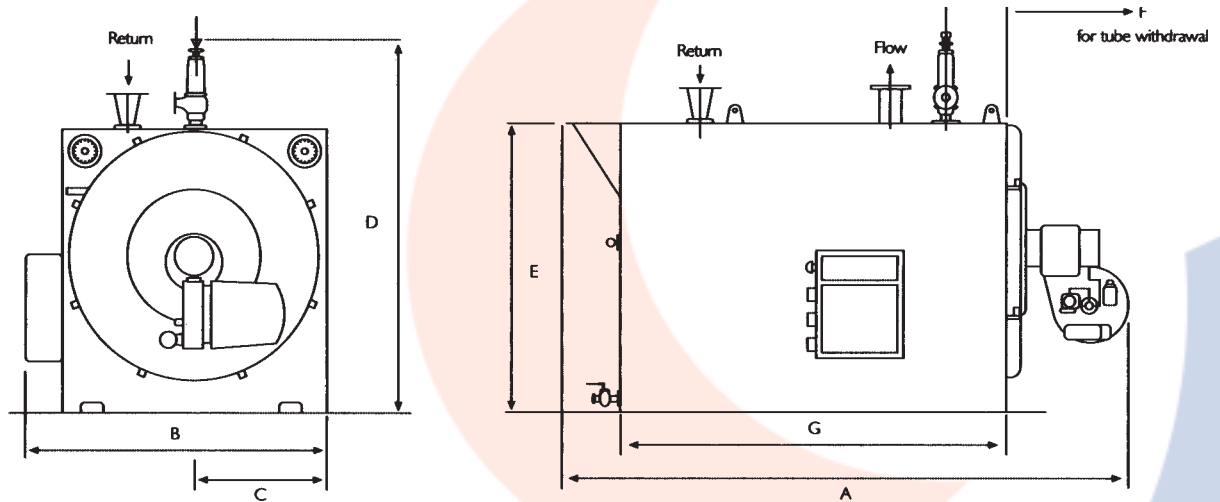
Efficiencies:

- Typical 89% nett gas firing*
 - Typical 90% nett oil firing*
- * Efficiencies based upon
N.C.V. of 34828 kJ/m³ (gas)
N.C.V. of 35863 kJ/l (oil)

Full range of support services available including:

- Turnkey boilerhouse supply
- Installation and project management
- International commissioning & maintenance service
- Full spares support

Cochran Calpac Package Hot-Water Boiler



Boiler Rating			879	1026	1172	1319	1465	1612	1758	2051	2345	2638	2960	3515	
			kCal/hx10 ³	760	880	1010	1130	1260	1390	1510	1760	2020	2270	2550	3030
			BTU/hx10 ⁶	3.0	3.5	4.0	4.5	5.0	5.5	6.0	7.0	8.0	9.0	10.1	12.0
Dimensions	(Oil)	A	mm	3276	3276	3276	3794	3794	3794	3794	4410	4410	4410	4683	5247
		(Gas)	A	mm	3454	3454	3454	3997	3997	3997	3997	4410	4410	4410	4683
	B	mm	1750	1750	1750	2050	2050	2050	2050	2400	2400	2400	2400	2400	2600
	C	mm	775	775	775	925	925	925	925	1075	1075	1075	1075	1075	1175
	D	mm	2235	2235	2235	2535	2535	2535	2535	2900	2900	2900	2900	2900	3610
	E	mm	1670	1670	1670	1973	1973	1973	1973	2299	2299	2299	2299	2299	2550
	F	mm	2000	2000	2000	2440	2440	2440	2440	2740	2740	2740	2740	3000	3565
G	mm	2160	2160	2160	2623	2623	2623	2623	2923	2923	2923	2923	3193	3805	
Recommended Chimney Dia.	mm	255	280	280	305	330	355	355	380	405	430	455	455	510	
Safety Valve Exhaust Dia.	mm	80	80	80	100	100	100	100	100	100	100	100	100	150	
Flow Connection Dia.	mm	125	125	125	150	150	150	150	150	150	150	150	150	200	
Return Connection Dia.	mm	125	125	125	150	150	150	150	150	150	150	150	150	200	
Drain Valve Dia.	mm	25	25	25	25	25	25	25	25	32	32	32	32	40	
Oil Inlet Connection	BSP	3/8"	3/8"	3/8"	3/8"	3/8"	3/8"	3/8"	3/8"	1"	1"	1"	1"	1"	
Fuel Consumption (Oil)	l/h	97.3	114.5	131.8	145.9	162.9	180.2	197.5	229.4	264.5	299.9	333.3	333.3	396.9	
Fuel Consumption (Gas)	m ³ /h	101.7	120.0	138.4	152.4	170.4	188.8	207.2	240.7	278.1	316.2	350.3	350.3	419.5	
Boiler Weight-Empty	Tonne	3.3	3.3	3.3	3.88	3.88	3.88	3.88	8.27	8.27	8.27	8.27	8.67	9.65	
Boiler Weight-Full of Water	Tonne	5.5	5.0	5.0	7.28	7.28	7.28	7.28	13.5	13.5	13.5	13.5	14.42	17.6	

Notes

- 1 Oil Fuel Consumption based on Class D:BS 2869 N.C.V.35863 kJ/m³ (15422 BTU/lb)
- 2 Gas Fuel Consumption based on Gas N.C.V.34828 kJ/m³ (935 BTU/Ft³)
- 3 All Dimensions and weights are approximate only based on boiler working pressure of 9.3 Bar g
- 4 Fuel Consumptions based on boiler flow temperature off 77 °C working pressure

A BIB Group Plc Company

Whilst this information is given in good faith, no warranty or representation is given concerning the information which must not be taken as establishing any contractual or other commitment binding upon BIB Cochrán Limited or any of its subsidiary or associated companies.



BIB Cochrán Limited
Newbie Works, Annan,
Dumfries & Galloway,
Scotland, UK DG12 5QU

BIB Cochrán Limited
First Floor, 105 Sadler Road,
Doddington Road
Lincoln, UK LN6 3RS

Tel: +44 (0) 1461 202111

Fax: +44 (0) 1461 205511

Email: enquiries@bibcochrán.com

www.bibcochrán.com