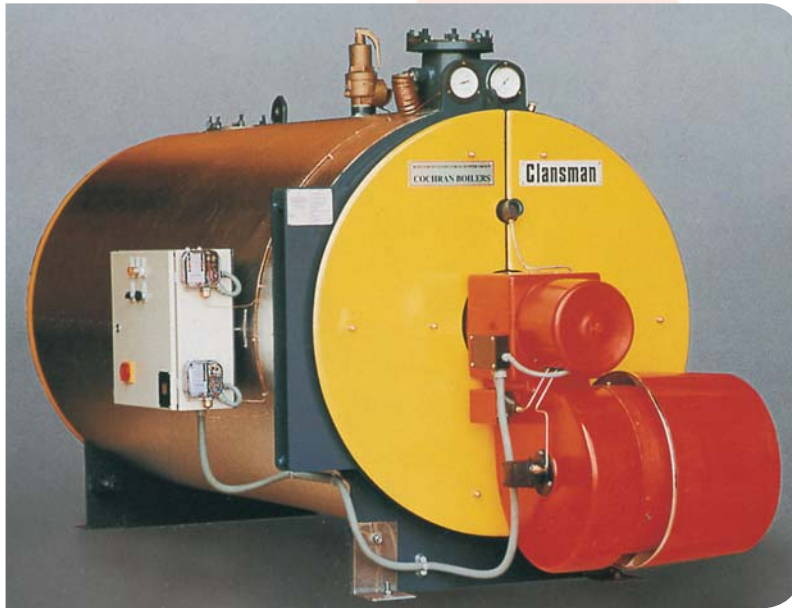




COCHRAN

Clansman Package Hot-Water Boiler



ENERGY SOLUTIONS WORLDWIDE

The BIB Cochran Clansman is a compact, cost effective hot water boiler, built to BIB Cochran's high standards and featuring the low NO_x, low noise combustion equipment as standard. Featuring a full wet back design for maximum efficiency, the compact design and small floor area taken by the boiler makes it ideal for a wide range of applications such as laundries, hotels and small to medium sized manufacturing

Ratings:

From 1025 kW to 3516 kW
(3.5x10⁶ BTU/hr to 12x10⁶ BTU/hr)

Standard Working Pressure:

4.5 BAR
(DESIGNS AVAILABLE UP TO 9.3 BAR)

Design concept:

- 3-pass wetback reverse flame
- Manufactured to B.S. 855 (B.S. 2790 above 3000kW and/or 4.5 Bar) (or equivalent international standards i.e. EN 12953, PD 2790). Products are normally CE marked
- Robust design and construction for long life
- Total package incorporates combustion equipment, control panel, all necessary valves and fittings

Quality:

- Procedures are third party audited to ISO 9001; boilers are third party insurance authority inspected before dispatch

Efficiencies:

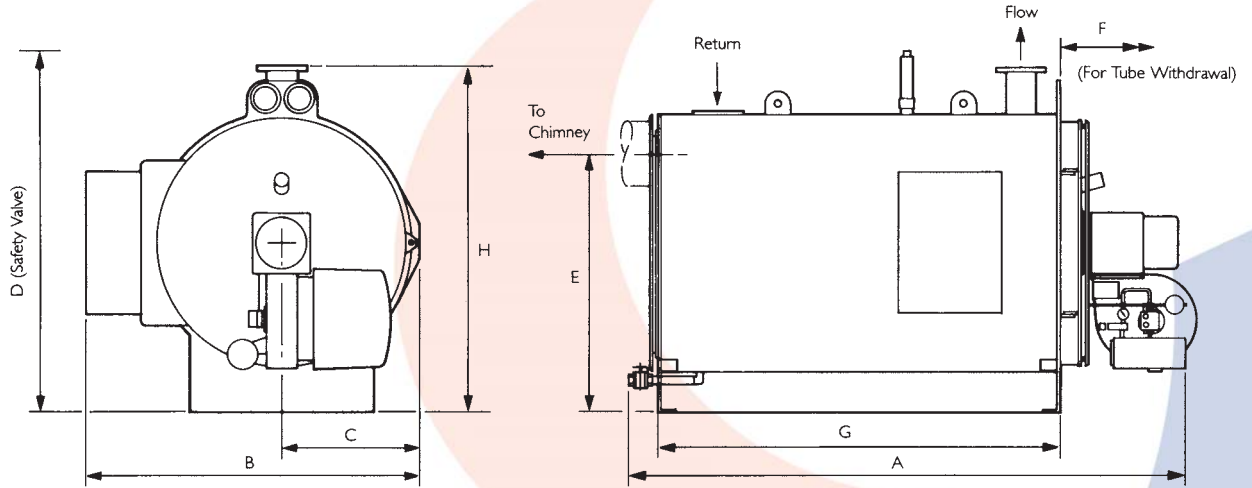
- Typical 88% nett (80% gross) gas firing*
- Typical 89% nett (83% gross) oil firing*

* Efficiencies based upon
N.C.V. of 34828 kJ/m³ (gas)
N.C.V. of 35863 kJ/l (oil)

Full range of support services available including:

- Turnkey boilerhouse supply
- Installation and project management
- International commissioning & maintenance service
- Full spares support

BIB Cochran Clansman Package Hot-Water Boiler



Boiler Ratings		kW	293	366	440	586	732	879	1025	1172	1465	1758	2344	2930	3516	
	kCal/h x 10 ³	252	314	378	504	629	756	881	1008	1260	1512	2016	2520	3025		
	BTU/h x 10 ⁶	1.00	1.25	1.50	2.00	2.50	3.00	3.50	4.00	5.00	6.00	8.00	10.00	12.00		
Dimensions	(Oil)	A	mm	2278	2328	2381	2616	2765	2911	3016	3066	3320	3420	3570	4000	4100
	(Gas)	A	mm	2278	2481	2534	2936	3085	3231	3358	3408	3660	3740	3890	4039	4139
	B	mm	1105	1105	1155	1505	1425	1565	1565	1685	1750	1940	1940	1960	1985	
	C	mm	540	540	565	590	600	620	665	680	715	820	885	950	975	
	D	mm	1335	1335	1430	1540	1600	1600	1735	1765	1765	2340	2530	2660	2710	
	E	mm	799	803	832	898	898	910	969	1017	1042	1161	1265	1355	1377	
	F	mm	1450	1500	1550	1700	1800	2000	2100	2150	2300	2400	2550	2800	2900	
	G	mm	1508	1558	1608	1758	1858	2058	2158	2208	2358	2460	2610	2860	2960	
	H	mm	1350	1350	1400	1520	1530	1530	1640	1670	1735	1910	2090	2220	2270	
Recommended Chimney Dia	mm	145	162	180	205	230	255	280	290	330	355	405	455	510		
Safety Valve Exhaust Dia.	BSP/mm	1.25"	1.25"	1.5"	1.5"	2"	2"	2"	2.5"	2.5"	100	125	125	125		
Drain Valve Dia.	BSP	1"	1"	1"	1"	1"	1"	1"	1"	1"	1"	1"	1"	1"		
Flow Connection Dia.	mm	63.5	80	80	100	100	125	125	125	150	150	200	200	200		
Return Connection Dia.	mm	63.5	80	80	100	100	125	125	125	150	150	200	200	200		
Fuel Consumption (Oil)	l/h	32.6	41.0	49.4	65.7	83.3	99.6	116.9	133.1	167.1	199.6	264.6	331.4	398.1		
Fuel Consumption (Gas)	m ³ /h	34.0	42.7	51.7	68.5	85.8	104.2	122.2	138.9	174.6	208.8	277.3	347.6	417.0		
Boiler Weight-Empty	Tonne	1.09	1.21	1.31	1.52	1.63	1.92	2.27	2.52	2.90	3.99	4.62	5.56	6.24		
Boiler Weight-Full of Water	Tonne	1.67	1.77	1.93	2.25	2.41	2.85	3.37	3.67	4.23	5.98	6.95	8.55	9.45		

Notes

- 1 Oil Fuel Consumption based on Class D: BS2869 N.C.V.35863 kJ/l (15422 BTU/l)
- 2 Gas Fuel Consumption based on Gas N.C.V.34828 kJ/m³ (935 BTU/Ft³)
- 3 All Dimensions and weights are approximate only based upon boiler working pressure of 4.5 Bar g
- 4 Fuel Consumption based on boiler flow temperature of 77°C and working pressure

A BIB Group Plc Company

Whilst this information is given in good faith no warranty or representation is given concerning such information which must not be taken as establishing any contractual or other commitment binding upon BIB Cochran Limited or any of its subsidiaries or associated companies.



BIB Cochran Limited
Newbie Works, Annan,
Dumfries & Galloway,
Scotland, UK DG12 5QU

BIB Cochran Limited
First Floor, 105 Sadler Road,
Doddington Road
Lincoln, UK LN6 3RS

Tel: +44 (0) 1461 202111

Fax: +44 (0) 1461 205511

Email: enquiries@bibcochran.com

www.bibcochran.com